

# Patient Stretcher

Ghalioungui Stretcher have been designed to aid with the rapid pace of the health industry with utmost efficiency and safety .

## General Technical Specifications :

### Framework :

- Epoxy powder coated steel or stainless steel.

### Mattress board :

- Radiolucent mattress board . (optional)
- X-Ray film cassette tray . (optional)
- 6 cm high density, Washable soft foam mattress.

### Side Rails :

- Foldable side rails.

### Castors :

- 6 inch x 4 swivel castors (two of them with brakes).

### Accessories :

- Stainless steel oxygen cylinder holder.
- (one) IV pole & (two) IV pole mounts.
- 4 Bumpers.
- Two push handles.

### Weight capacity :

- Up to 200 KG .

## Transfer Trolley :

### Movements :

- Fixed height .
- Adjustable head rest through high quality Mechanism (0:75°) .
- Trendelenburg facility via stronglockable gas spring .
- Excellent locking transfer system between the two trolleys .

### Dimensions :

- Patient area: (L x W x H)  
200 x 60 x 70 cm .
- Overall dimension: (L x W x H)  
220 x 75 x 70 cm .



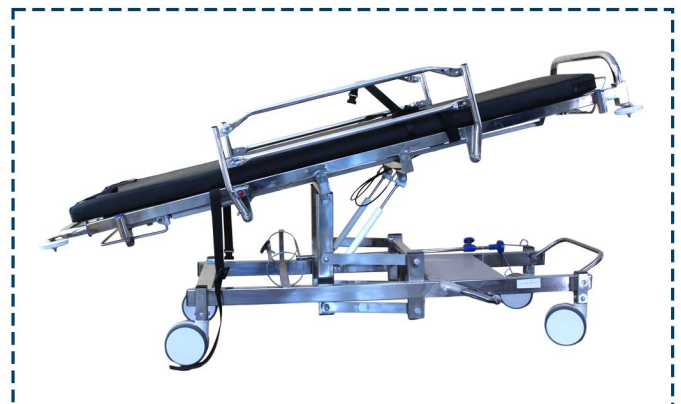
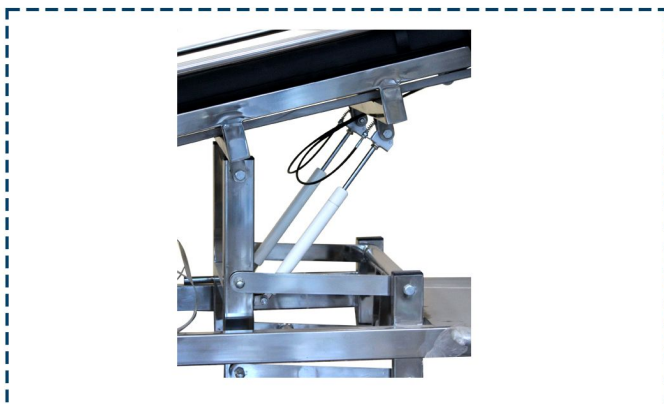
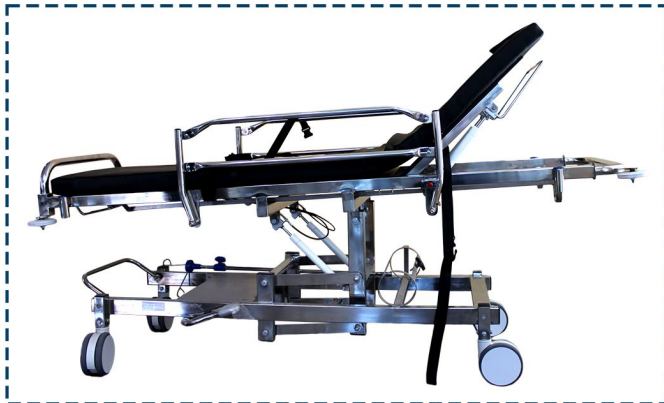
## Trendelenburg Stretcher :

### Movements :

- Adjustable height by means of high quality hydraulic cylinder .
- Adjustable head rest through high quality gas spring .
- Trendelenburg /Reverse Trendelenburg facility via two strong lockable gas spring .

### Dimensions :

- Patient area: (L x W x H )  
200 x 60 x 62-80 cm .
- Overall dimension: (L x W x H )  
220 x 75 x 62-80 cm .



## Column Stretcher :

### Movements :

- Adjustable height by means of high quality hydraulic cylinder .
- Adjustable head rest through high quality gas spring .
- Trendelenburg /Reverse Trendelenburg .

### Dimensions :

- Patient area: (L x W x H )  
200 x 60 x 62-80 cm .
- Overall dimension: (L x W x H )  
220 x 75 x 62-80 cm .



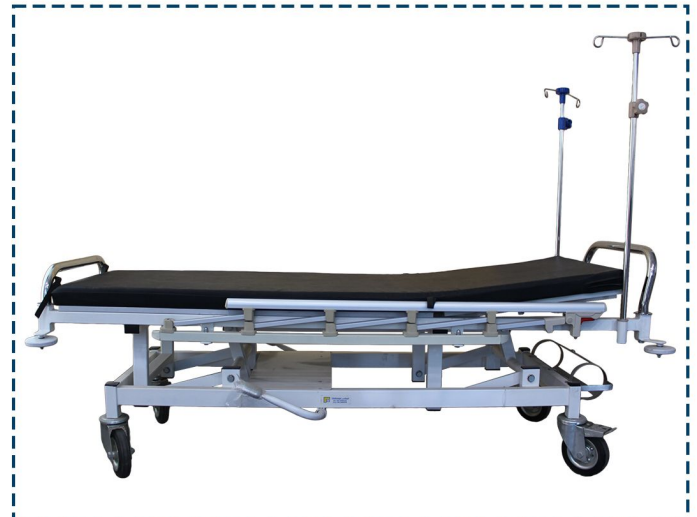
## Up & Down Stretcher :

### Movements :

- Adjustable height by means of high quality hydraulic cylinder .
- Adjustable head rest through high quality gas spring .

### Dimensions :

- Patient area: (L x W x H )  
200 x 60 x 62-80 cm .
- Overall dimension: (L x W x H )  
220 x 75 x 62-80 cm .



## Fixed Stetcher :

### Movements :

- Fixed height .
- Adjustable head rest through high quality mechanism .

### Dimensions :

- Patient area: (L x W x H )  
200 x 60 x 62cm .
- Overall dimension: (L x W x H )  
220 x 75 x 62 cm .



[www.ghalioungui.com](http://www.ghalioungui.com)

**Headquarter :** 6117 ALQuds St. Mokattam  
P.O.Box:161, Postal Code  
11585 Cairo, Egypt  
[mail@ghalioungui.com](mailto:mail@ghalioungui.com)

**Factory :** 10th of Ramadan.  
-A. 1 - Section  
No : X.H.  
[factory@ghalioungui.com](mailto:factory@ghalioungui.com)

**Tel :** +20 128 944 4448  
**Fax :** +20 2284 048 08  
+20 2284 042 78



In accordance with the following standards:  
IEC/EN-60601-1, IEC/EN-60601-1-2,  
IEC/EN-60601-2-52 et amdt 1.  
Beds in conformity with Directive 93/42/EEC